


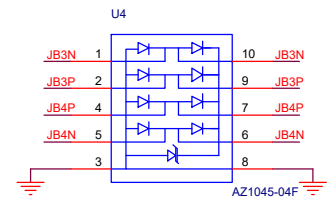
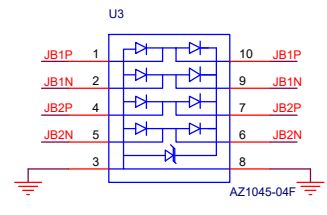
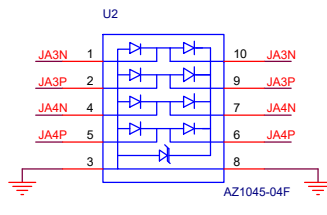
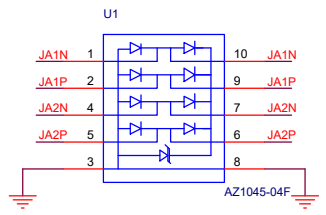
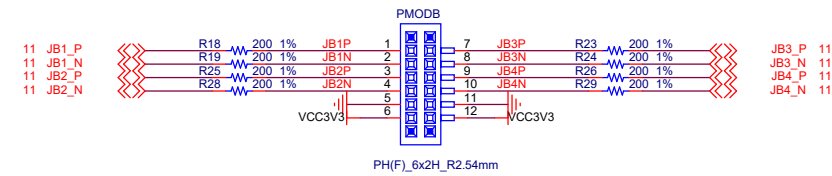
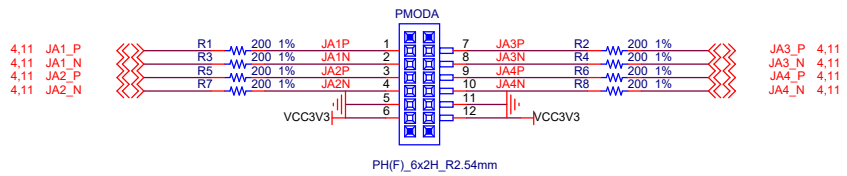
COMPRESSED IMAGE	
Page	Index
01	Cover Page
02	Revision History
03	PMODs, Buttons, LEDs
04	RaspberryPi and Arduino I/Os
05	Ethernet and SD Card
06	HDMI
07	USB & Audio
08	JTAG
09	FPGA Configuration, Flash
10	DDR and MIO Banks
11	FPGA Banks, Anti Alias Filters
12	FPGA Power
13	DDR3 Memory
14	Power Regulation
15	Power Regulation 2

COMPRESSED
IMAGE

REVISION HISTORY:

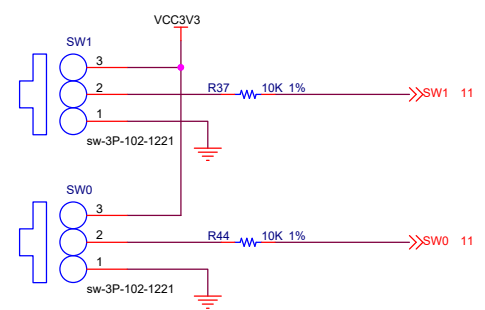
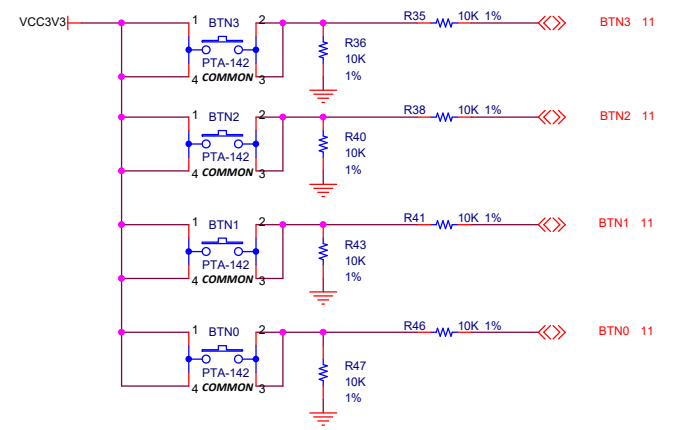
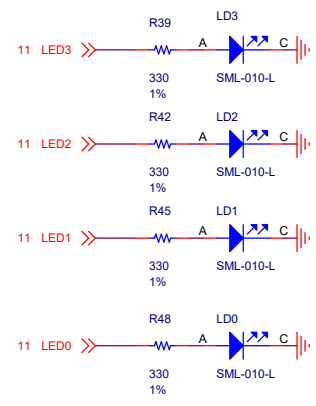
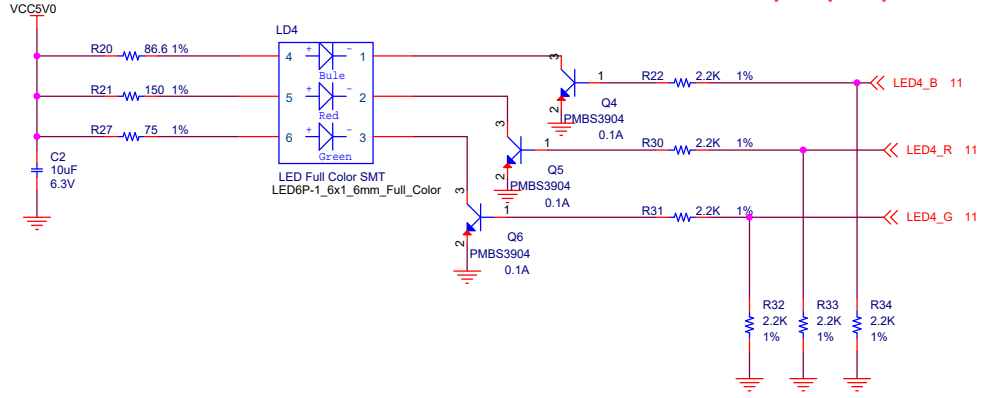
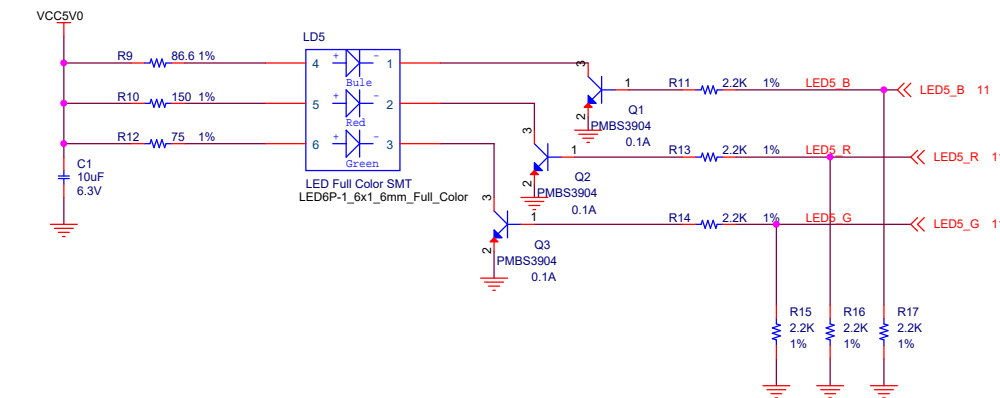
REV	DATE	NOTE
B	2017.09	<p>Page 7: Change BTN1~4 pin definition</p> <p>Page 9: Change R296 pull up to +3.3V power rail. ADD B3 DEL L1</p> <p>Page 10: Change Q7 to NC7SZ125M5X installed. Change Q8 to 2N7002 installed.</p> <p>Page 11: ADD C125 Change U9 PIN30 to PULL HI 1.8V Change U9 PIN29 to OTG_STP Change U11 PIN30 pill down Change U11 PIN18 pill down</p> <p>Page 12: Add pull up resistor for JTAG signal Change JTAG power name ADD R316~319 Change U12 PIN38,39 net name</p> <p>Page 14: Change R232 PIN1 net name</p> <p>Page 19: Modify JTAG POWER name for MAIN Power Select Change R292 to 100K Change C210 to 22uF/25V</p> <p>Page 8: JA4_P , JA4_N LINK TO RPI_IDE PIN3,5 RPI_IDE PIN12,16 SWAP PIN27,28</p> <p>Page 15: SOC PIN : V5 MODIFY NET NAME TO AU_RESET SOC PIN : U5 MODIFY NET NAME TO AU_MCLK_R</p> <p>Page 11: DEL C84,OSC2 ADD R312</p>


 <p>Tul 撼訊科技 www.tul.com.tw</p>	<p>Tul Corporation</p> <p>7F-7, NO. 79, HSIN TAI WU RD. SEC 1, HSI-CHI, TAIPEI HSIEN, TAIWAN 221 TEL: +886 2 8698 3000 FAX: +886 2 8698 3456</p>		
	<p>Title: Revision History</p>		
Size: A3	Document Number: PYNG-Z2	Rev: R10	
Date: Tuesday, January 09, 2018	Sheet: 2	of 15	



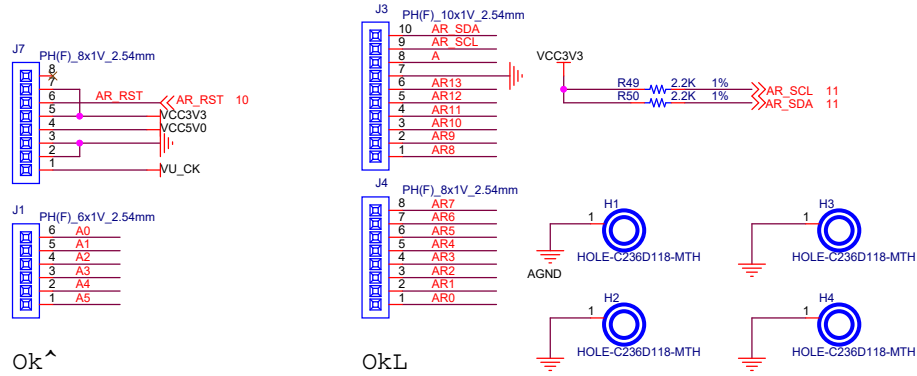
PMOD

Buttons & LEDs



		Tul Corporation	
		7F-7, NO.79, HSIIN TAI WU RD. SEC. 1, HSI-CHIH, TAIPEI HSIEN, TAIWAN 221 TEL: +886 2 8698 3000 FAX: +886 2 8698 3456	
Title		PMODs, Buttons, LEDs	
Size	Document Number	Rev	
A3	PYNO-Z2	R10	
Date:	Tuesday, January 09, 2018	Sheet	3 of 15

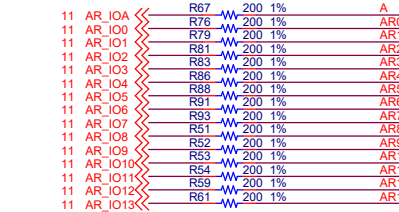
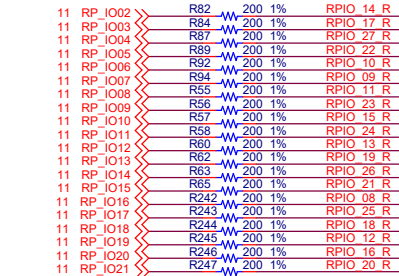
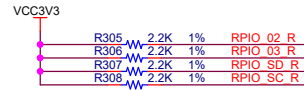
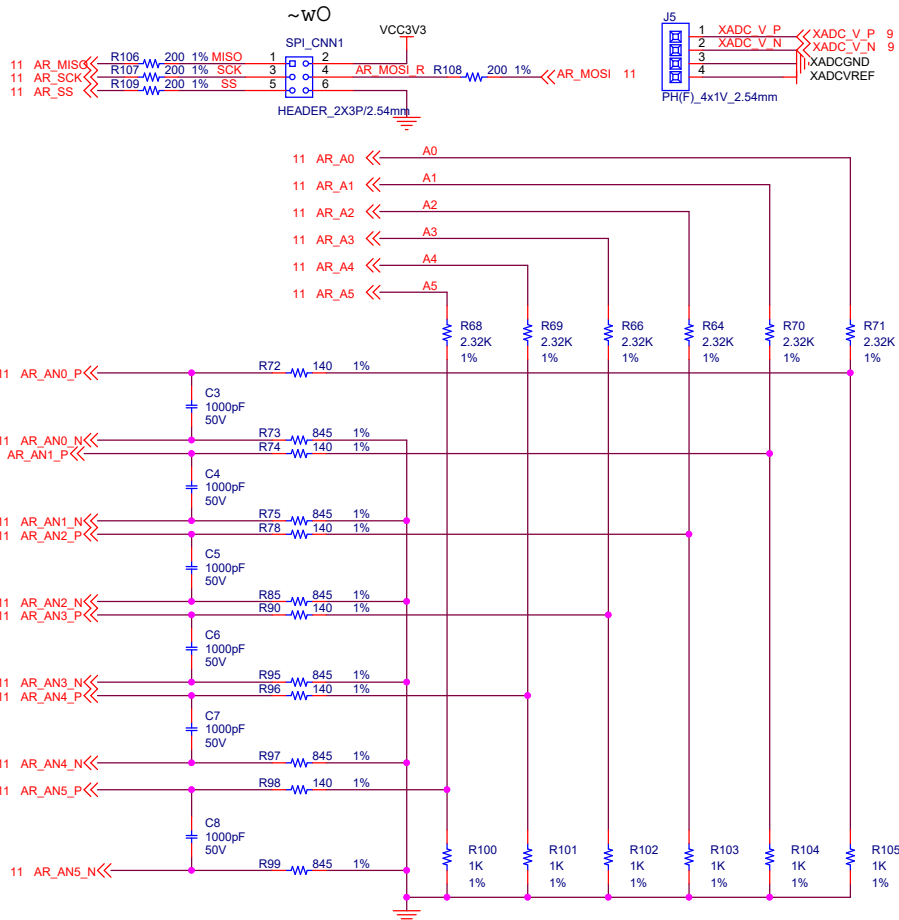
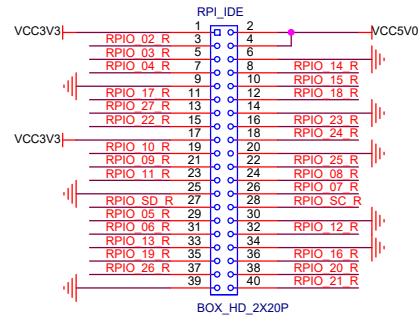
Arduino I/Os



Ok^

OkL

Raspberry Pi



**NOTE : SHARE PIN
(REFERENCE TABLE)**

XC7Z020 PIN NAME	PMODA PIN NAME	RASPBERRY PI PIN NAME
IO_L17P_T2_34	JA1P	RPIO_04_R
IO_L17N_T2_34	JA1N	RPIO_05_R
IO_L7P_T1_34	JA2P	RPIO_SD_R
IO_L7N_T1_34	JA2N	RPIO_SC_R
IO_L12P_T1_MRCC_34	JA3P	RPIO_06_R
IO_L12N_T1_MRCC_34	JA3N	RPIO_07_R
IO_L22P_T3_34	JA4P	RPIO_02_R
IO_L22N_T3_34	JA4N	RPIO_03_R

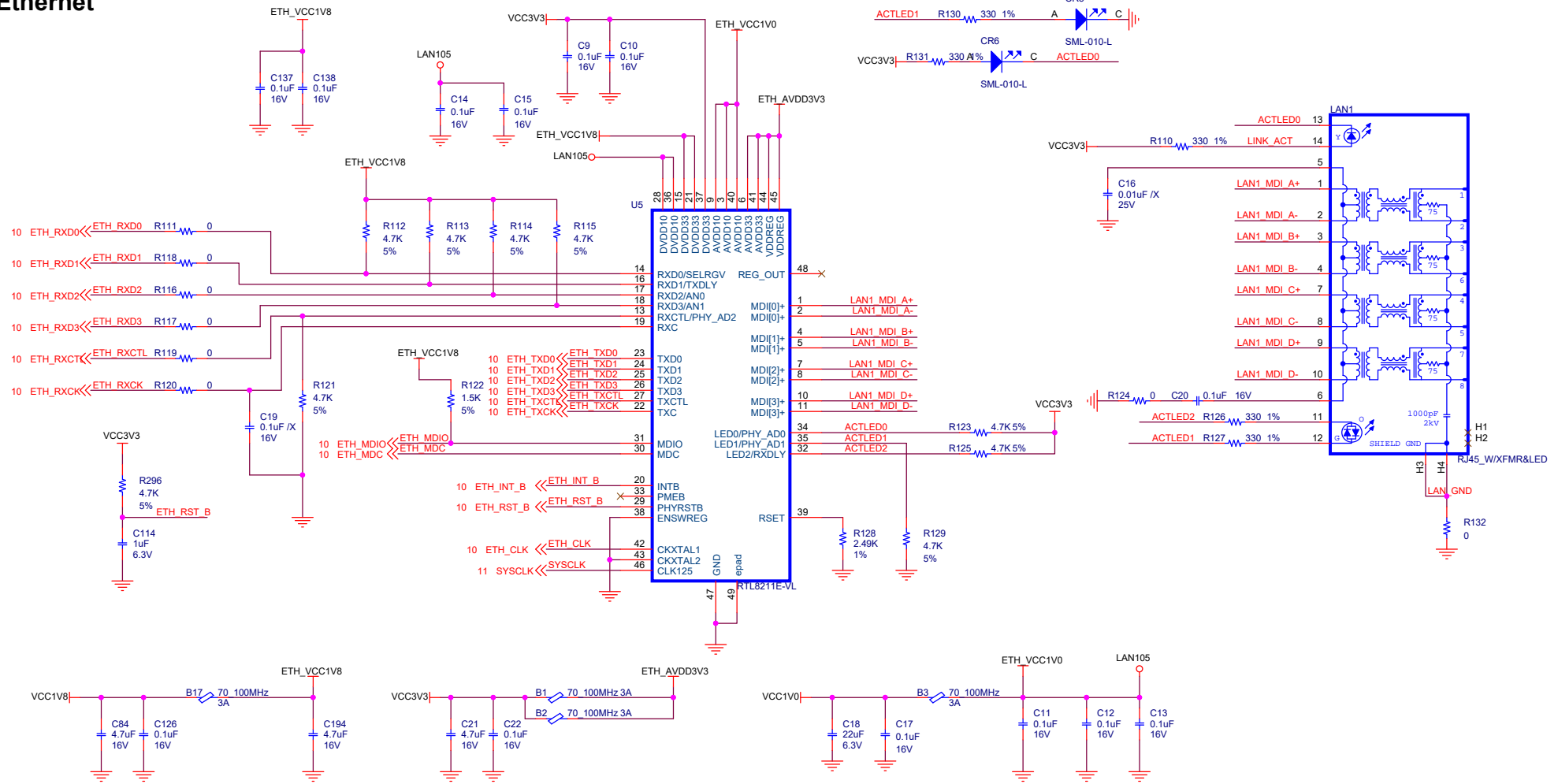


Tul Corporation

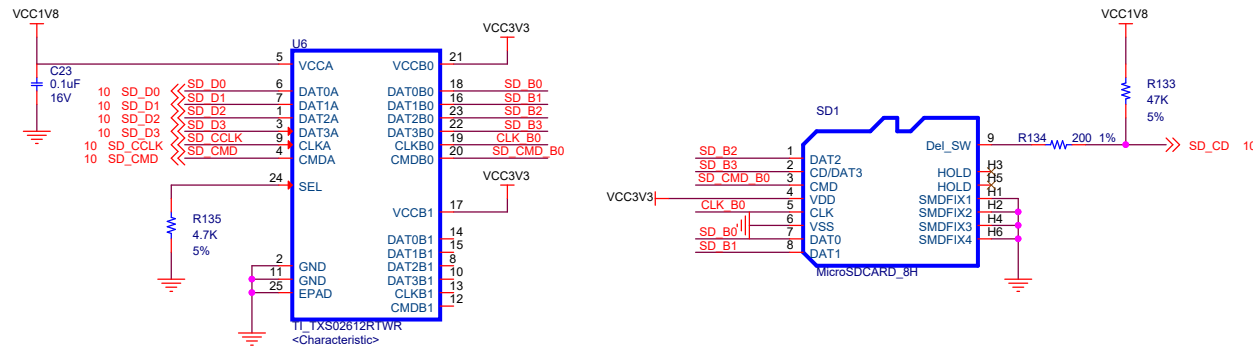
7F-7, WU 79, HSN TAI WU RD. SEC 1,
HSI-CHIH, TAIPEI HSIEN, TAIWAN 221
TEL: +886 2 8698 3000 FAX: +886 2 8698 3456

Title		
Size	Document Number	Rev
A3	PYNO-Z2	R10
Date:	Tuesday, January 09, 2018	Sheet 4 of 15

Ethernet



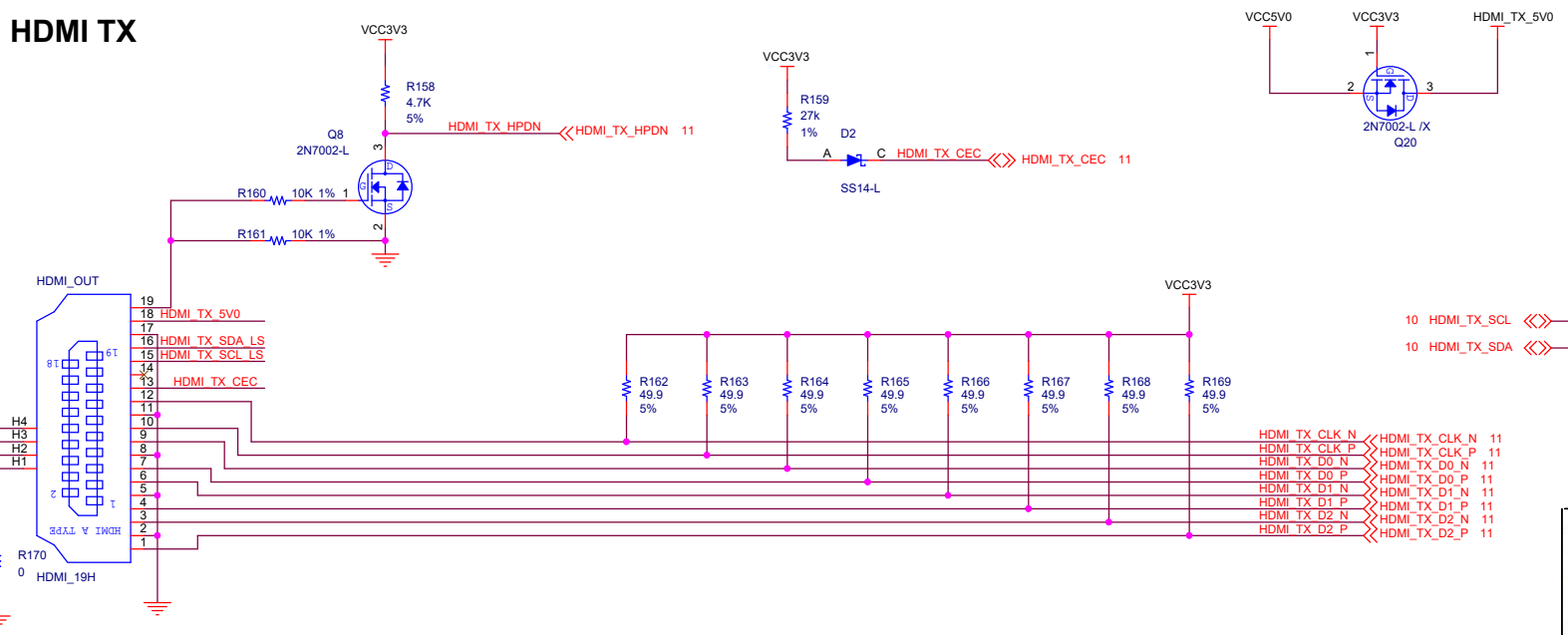
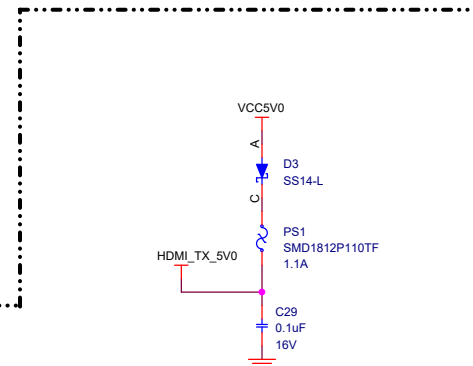
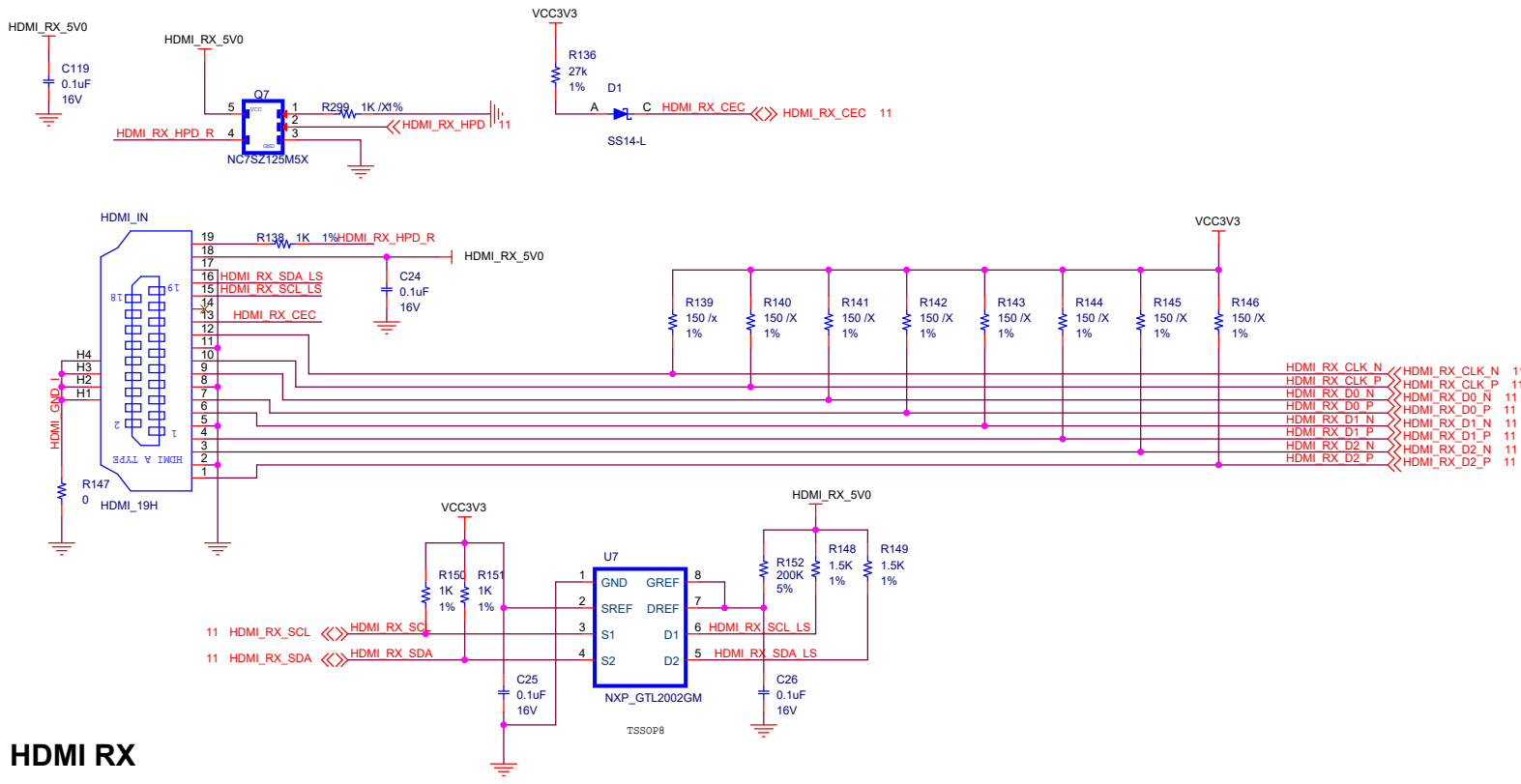
SD CARD



Tul Corporation

7F-7, NO. 79, HSIIN TAI WU RD. SEC. 1,
HSI-CHIH, TAIPEI HSIEN, TAIWAN 221
TEL: +886 2 8698 3000 FAX: +886 2 8698 3456

Title	Ethernet and SD Card		
Size	Document Number	PYNO-Z2	Rev
A3			R10
Date:	Tuesday, January 09, 2018	Sheet	5 of 15

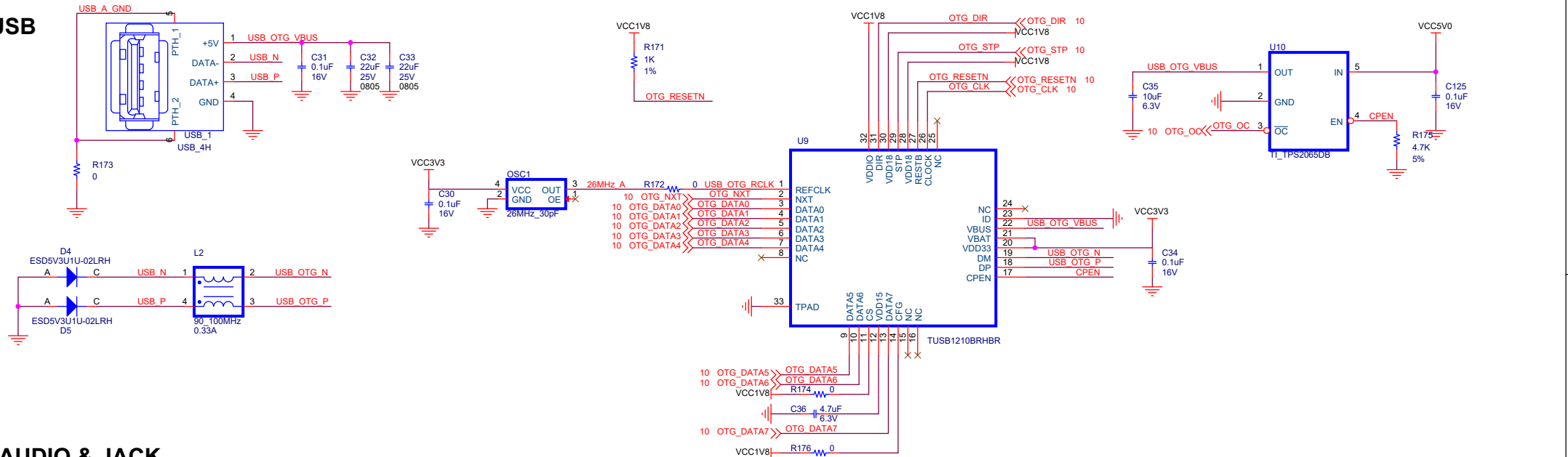


Tul Corporation

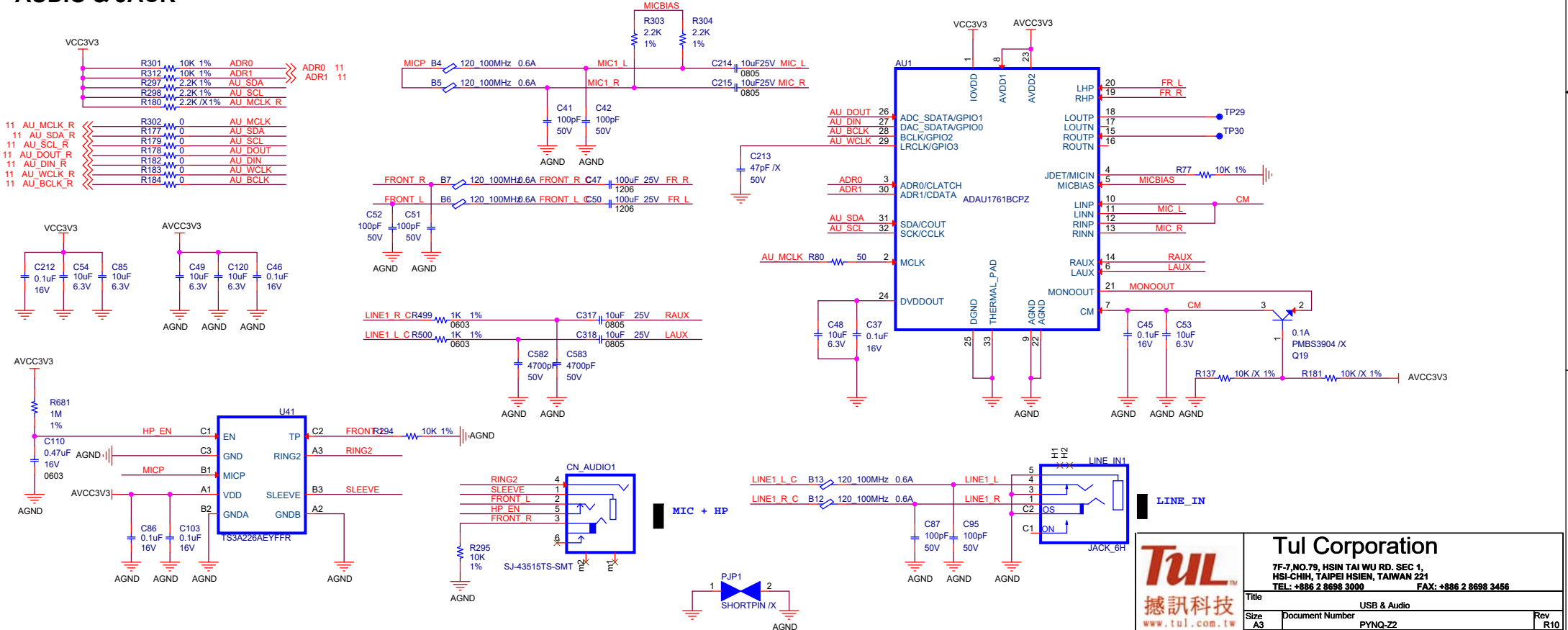
7F-7, NO.79, HSIN TAI WU RD. SEC. 1,
HSI-CHIH, TAIPEI HSIEN, TAIWAN 221
TEL: +886 2 8698 3000 FAX: +886 2 8698 3456

Title: HDMI			
Size: A3	Document Number: PYNO-Z2	Date: Tuesday, January 09, 2018	Rev: R10
Date: Tuesday, January 09, 2018		Sheet: 6	of: 15

USB



AUDIO & JACK



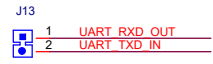
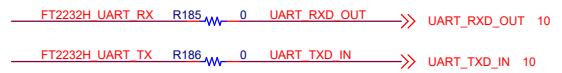


TUL
撼訊科技
www.tul.com.tw

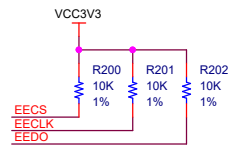
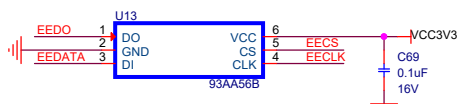
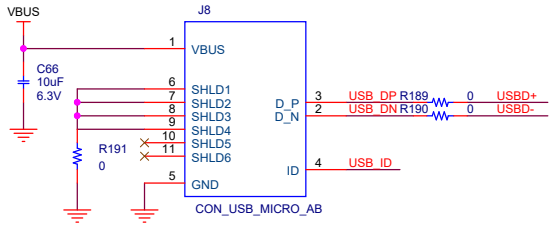
Tul Corporation

7F-7, NO.79, HSIIN TAI WU RD. SEC. 1,
HSI-CHIH, TAIPEI HSIEN, TAIWAN 221
TEL: +886 2 8698 3000 FAX: +886 2 8698 3456

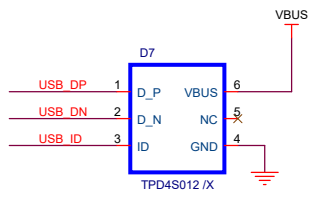
Title: USB & Audio		
Size: A3	Document Number: PYNO-22	Rev: R10
Date: Tuesday, January 09, 2018 Sheet 7 of 15		



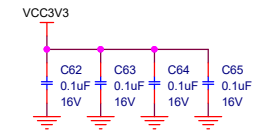
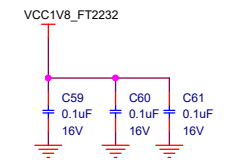
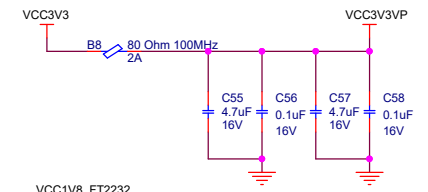
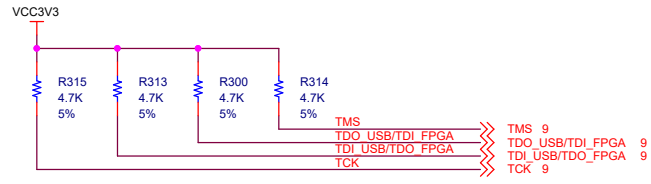
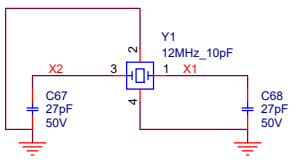
PH_2x1V_2.54mm /X



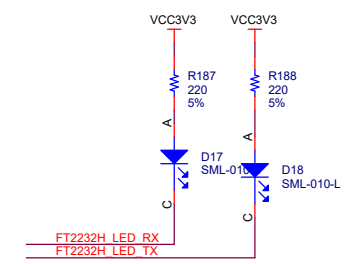
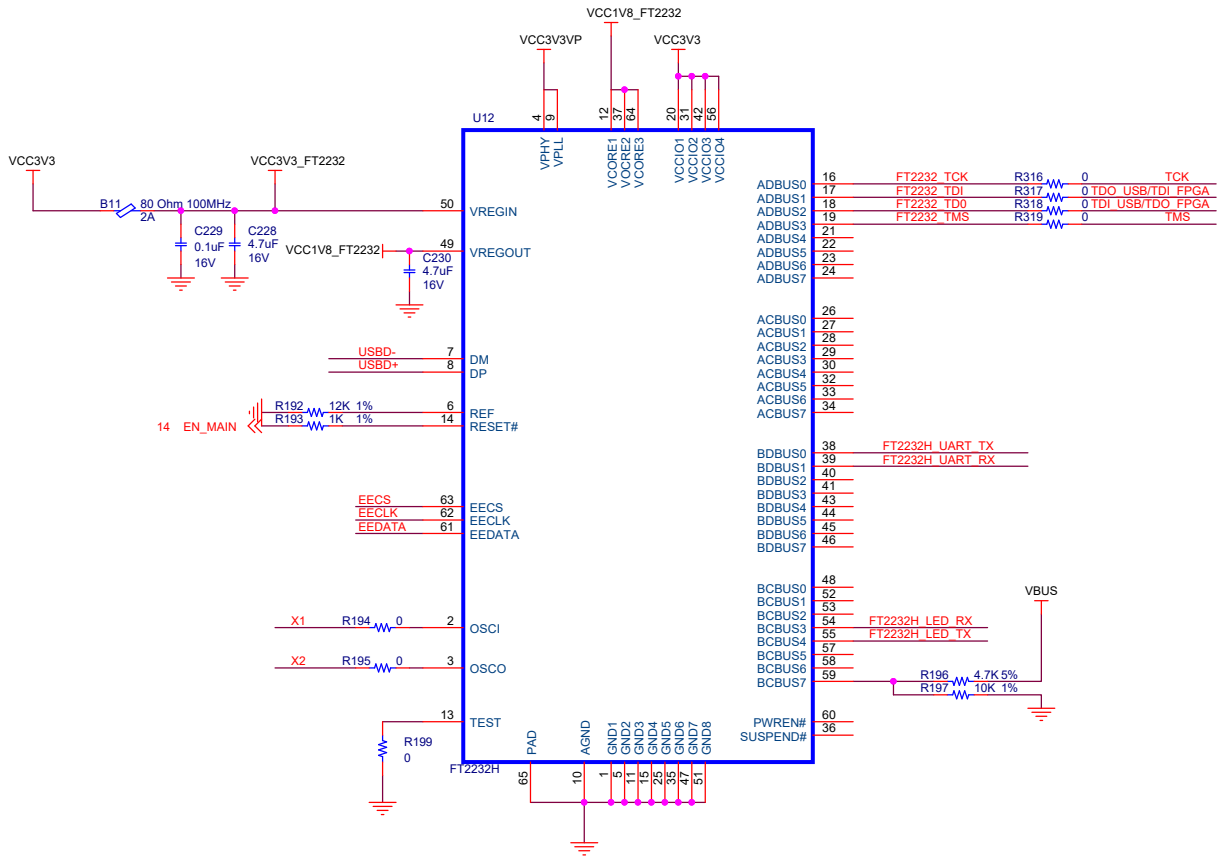
EEDATA R203 2.2K 1% EEDO



X1 R198 20M /X 5% X2



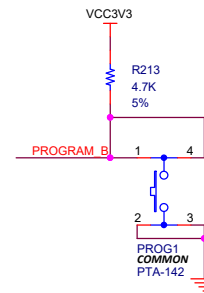
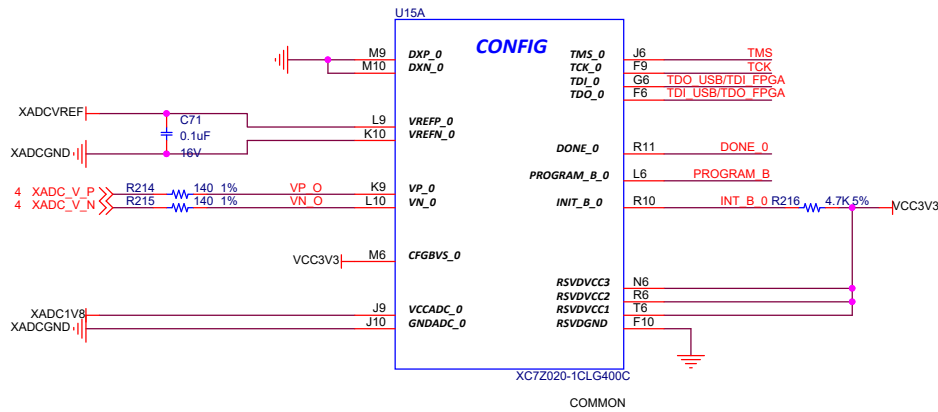
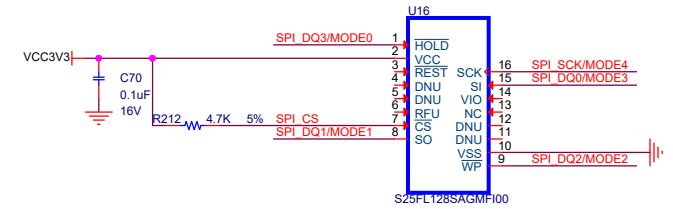
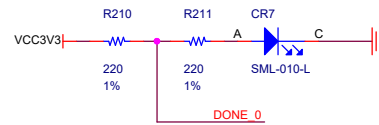
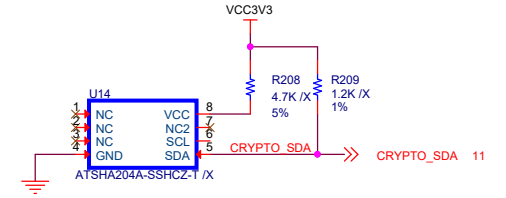
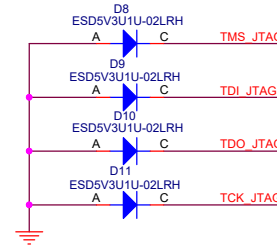
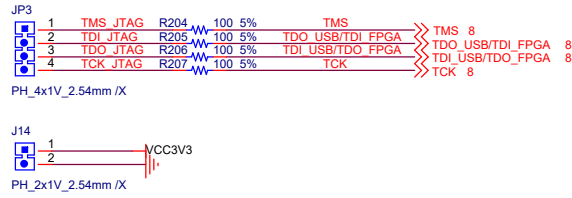
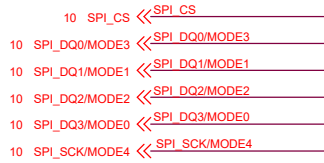
FT2232HL, QFN-64



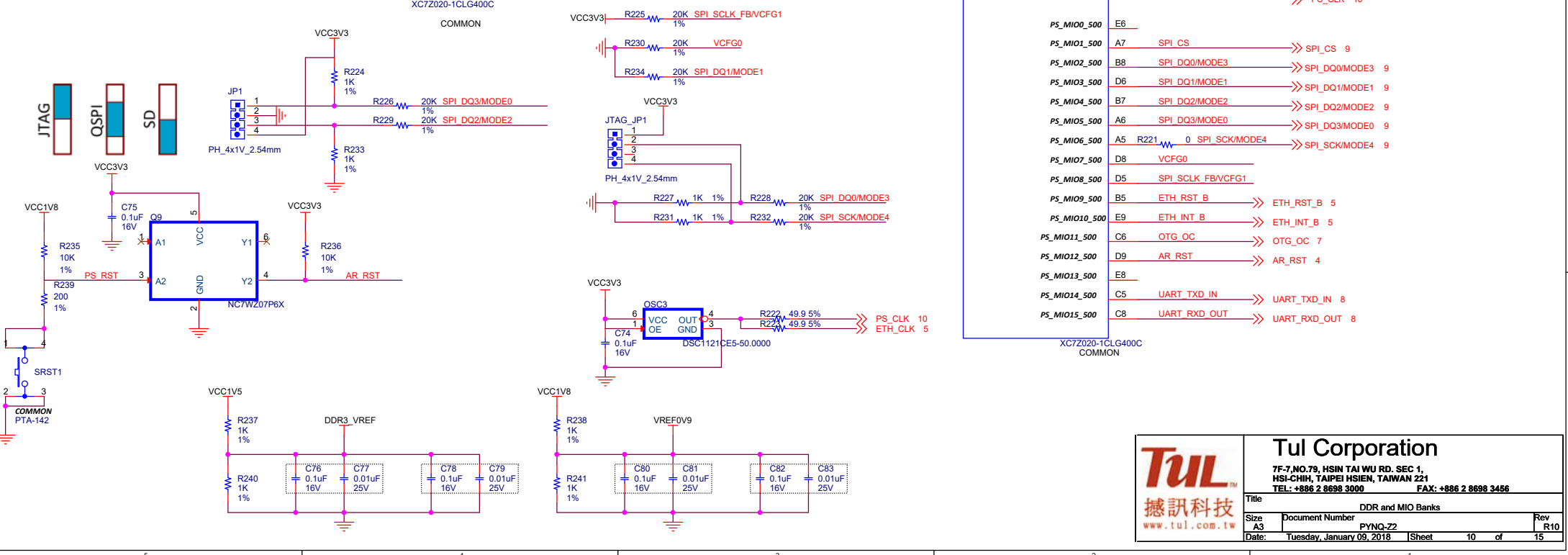
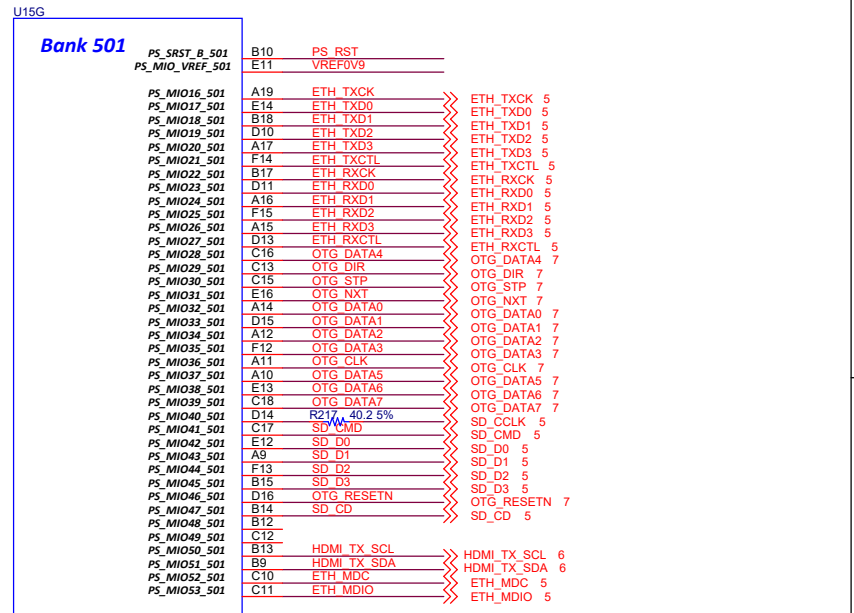
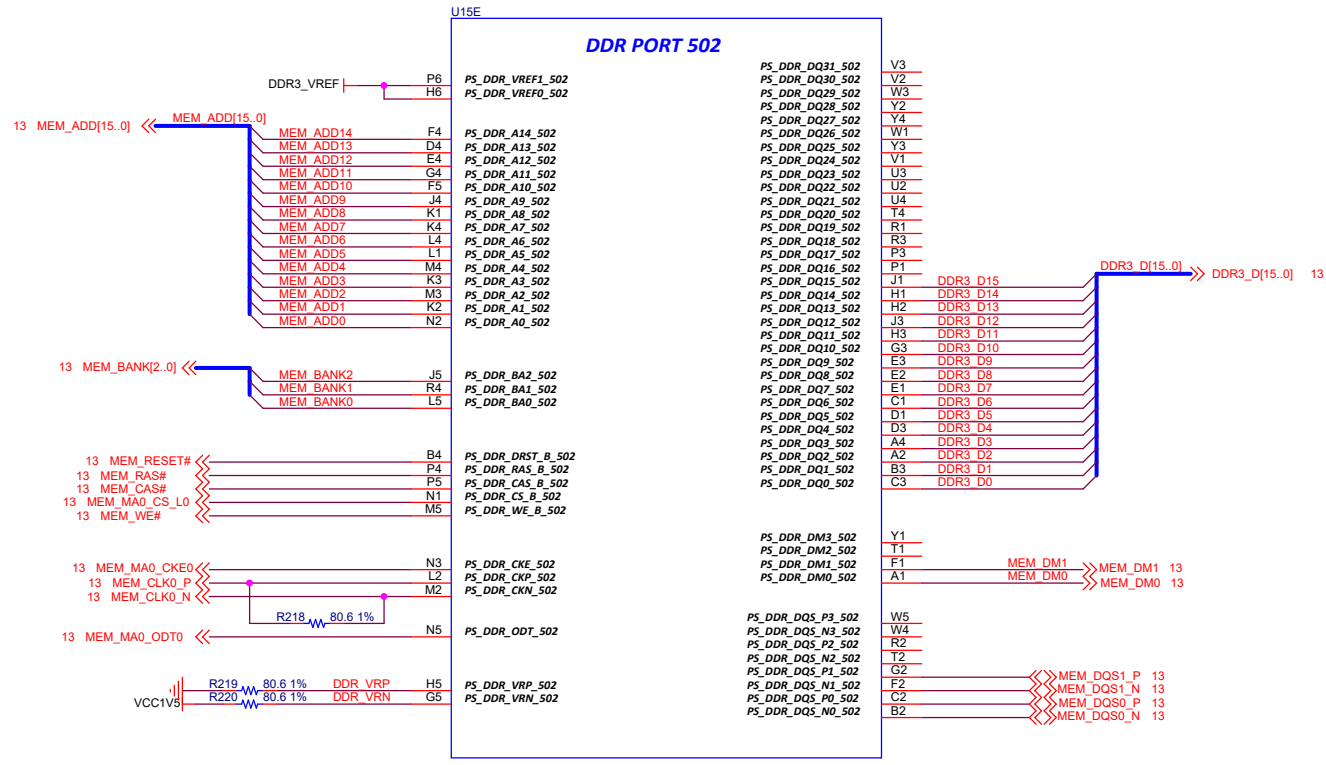
Title			
JTAG			
Size	Document Number	Rev	
A3	PYNO-ZZ	R10	
Date:	Tuesday, January 09, 2018	Sheet	8 of 15


Tul Corporation

7F-7 NO.79, HSIIN TAI WU RD. SEC. 1,
 HSI-CHIH, TAIPEI HSIEN, TAIWAN 221
 TEL: +886 2 8698 3000 FAX: +886 2 8698 3456



Tul Corporation			
7F-7, NO. 79, HSIIN TAI WU RD. SEC. 1, HSI-CHIH, TAIPEI HSIEN, TAIWAN 221			
TEL: +886 2 8698 3000		FAX: +886 2 8698 3456	
Title	FPGA Configuration, Flash		
Size	Document Number	PYNO-Z2	Rev R10
A3	Date:	Tuesday, January 09, 2018	Sheet 9 of 15



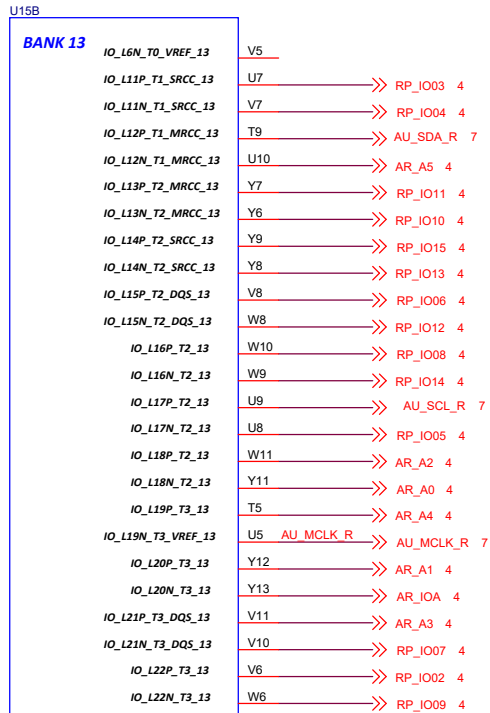


撼訊科技
www.tul.com.tw

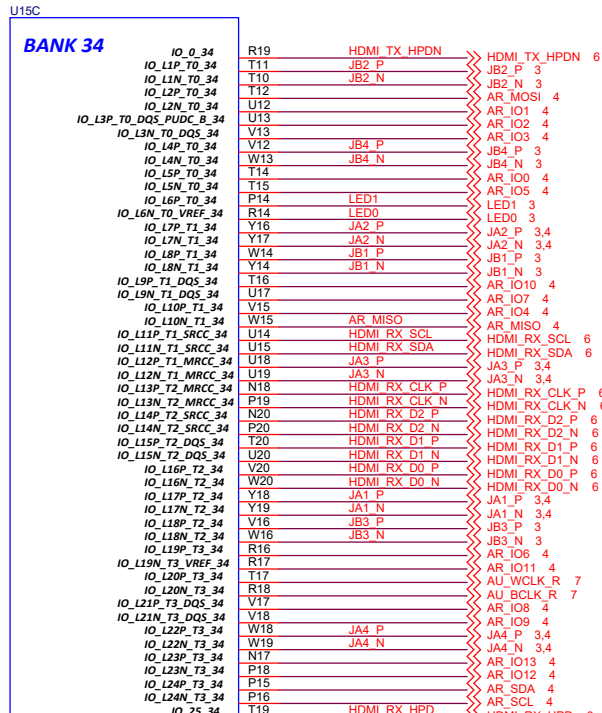
Tul Corporation

7F-7, NO.79, HSIEN TAI WU RD. SEC. 1,
HSI-CHIH, TAIPEI HSIEN, TAIWAN 221
TEL: +886 2 8698 3000 FAX: +886 2 8698 3456

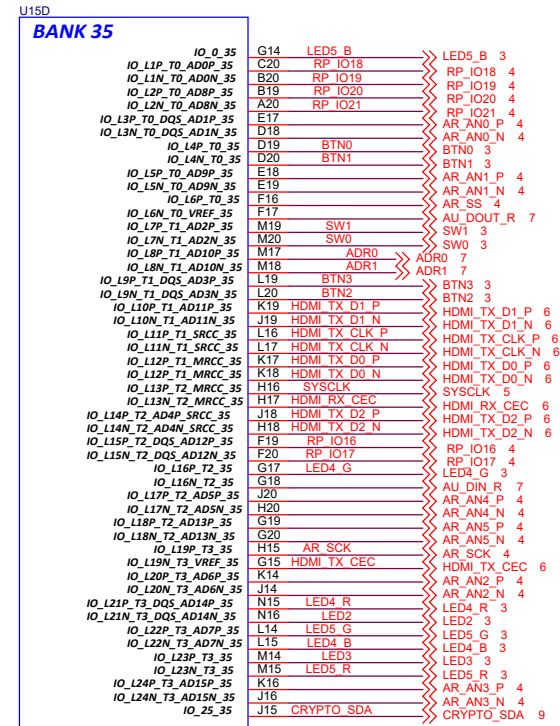
DDR and MIO Banks			
Title	Document Number		Rev
Size	A3	PYNO-Z2	R10
Date:	Tuesday, January 09, 2018	Sheet	10 of 15



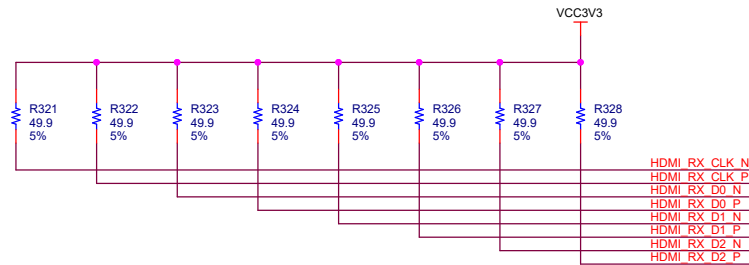
XC7Z020-1CLG400C
COMMON



XC7Z020-1CLG400C
COMMON



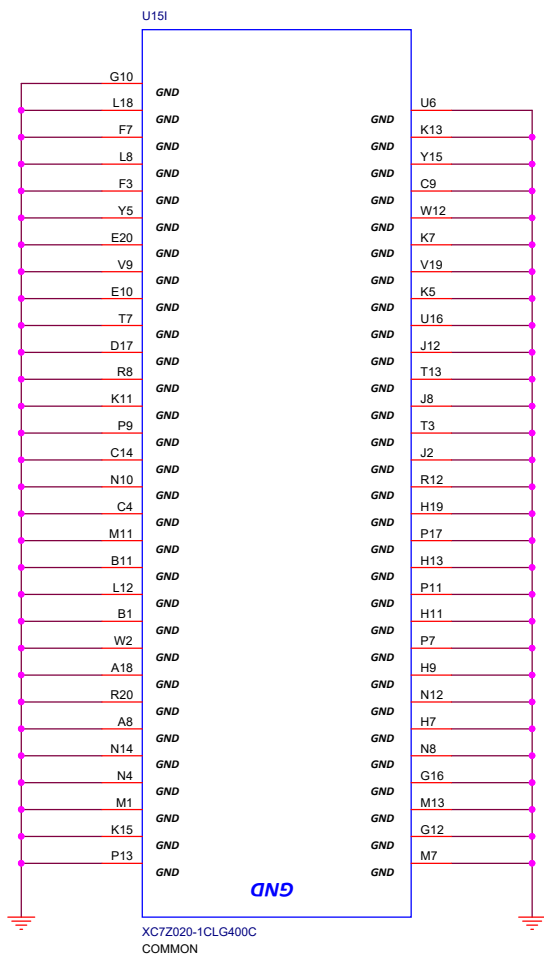
XC7Z020-1CLG400C
COMMON



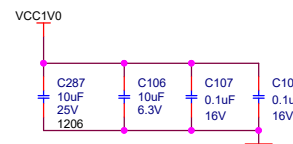
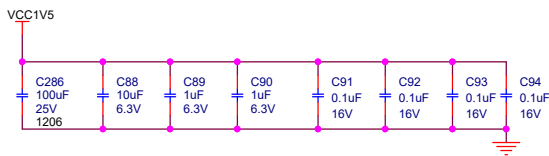
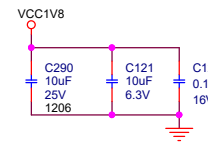
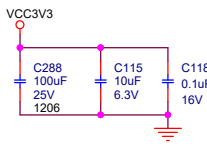
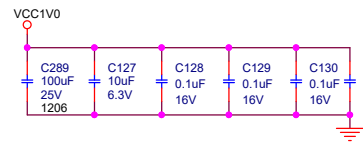
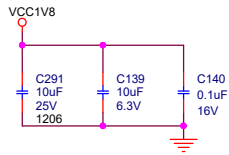
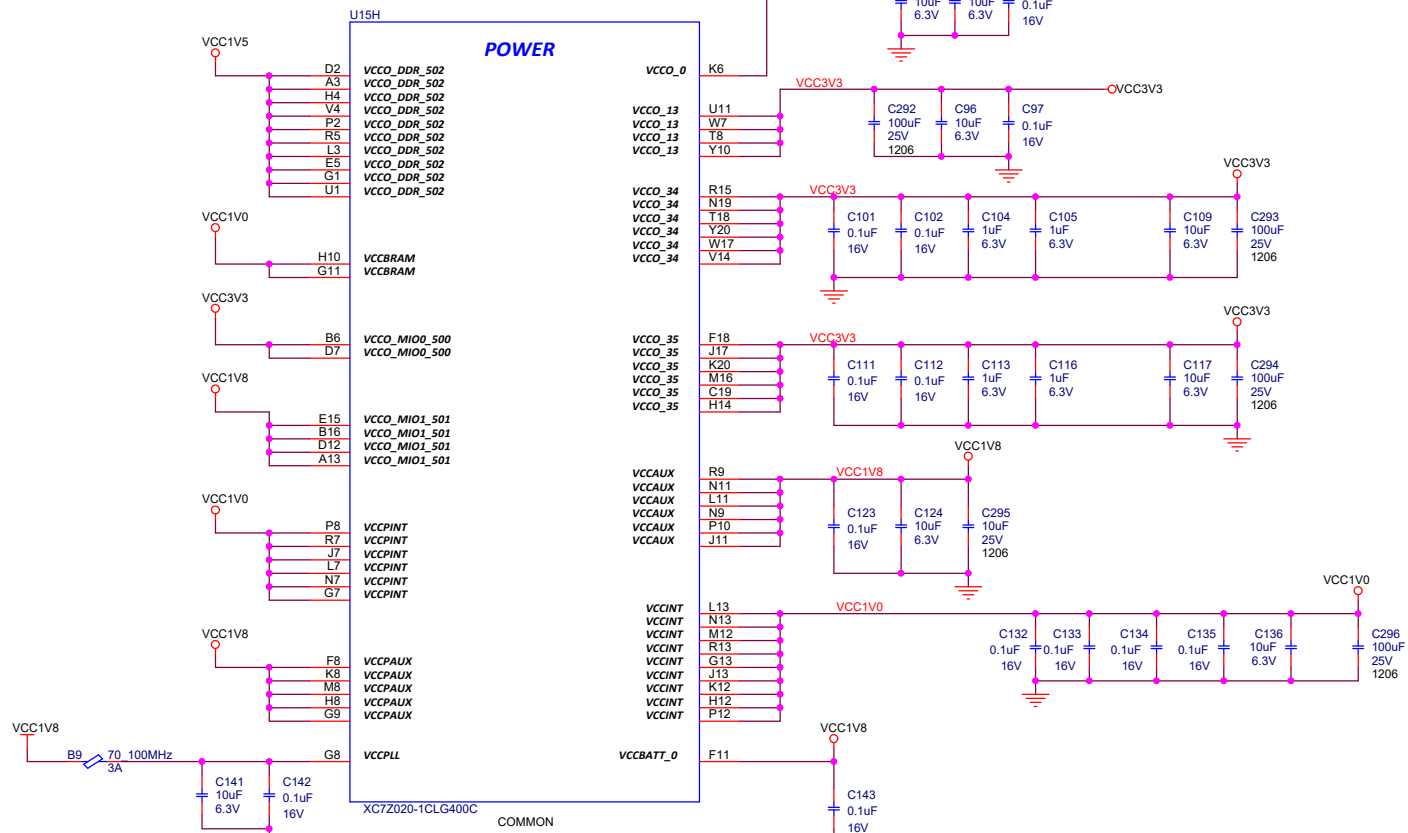
Tul Corporation


7F-7, NO.79, HSIN TAI WU RD. SEC. 1,
HSI-CHIH, TAIPEI HSIEH, TAIWAN 221
TEL: +886 2 8698 3000 FAX: +886 2 8698 3456

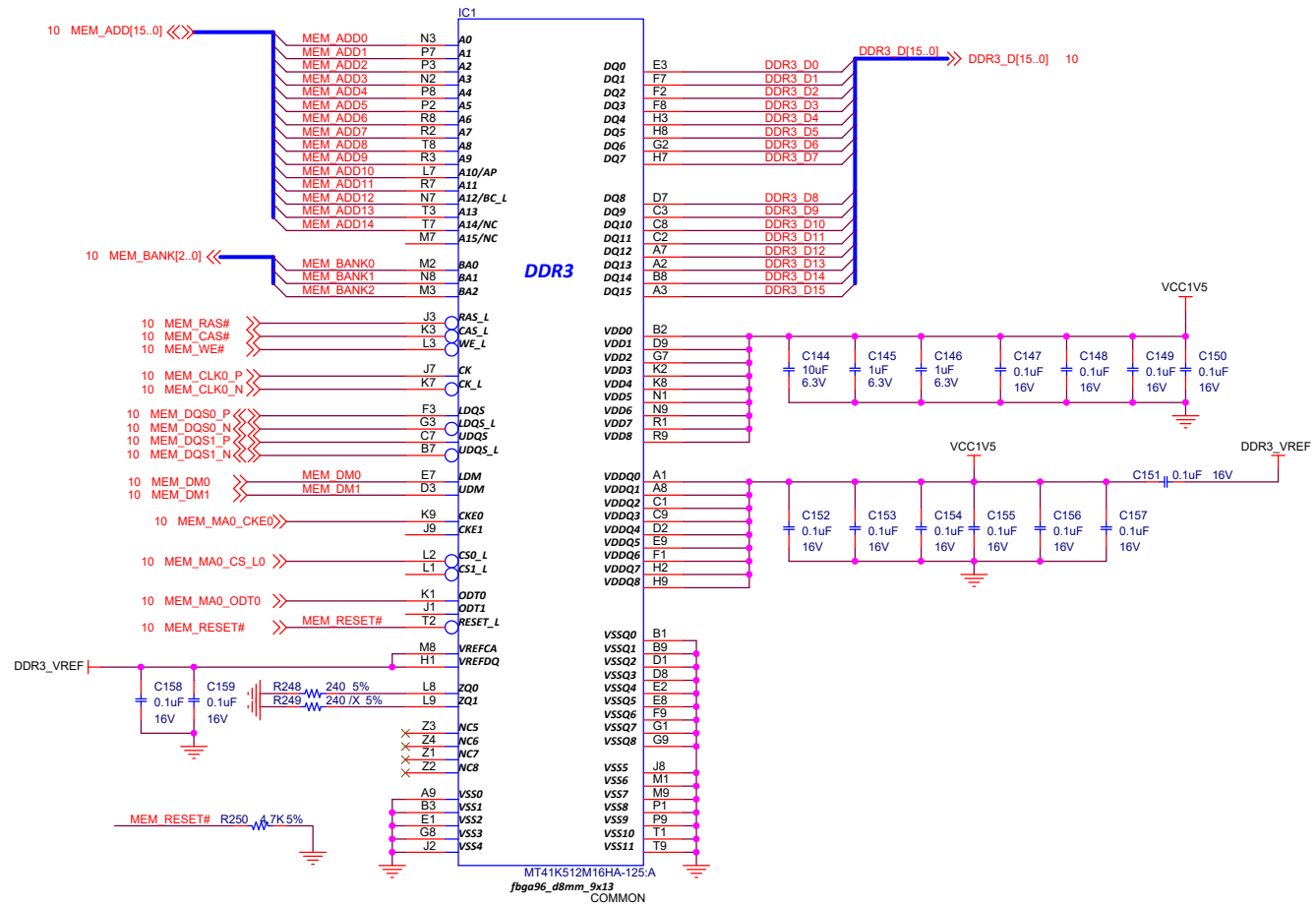
Title				FPGA Banks, Anti Alias Filters	
Size	Document Number	PYNO-22	Rev	R10	
A3					
Date:	Tuesday, January 09, 2018	Sheet	11	of	15



XC7Z020-1CLG400C
COMMON



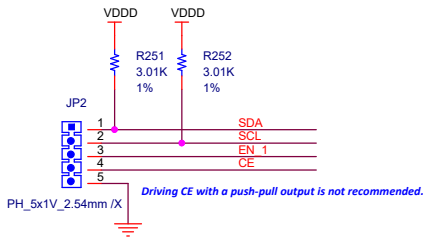
		Tul Corporation	
		7F-7, NO. 79, HSIIN TAI WU RD. SEC. 1, HSI-CHIH, TAIPEI HSIEN, TAIWAN 221 TEL: +886 2 8698 3000 FAX: +886 2 8698 3456	
Title FPGA Power			
Size A3	Document Number PYNO-22	Rev R10	
Date: Tuesday, January 09, 2018	Sheet 12	of 15	



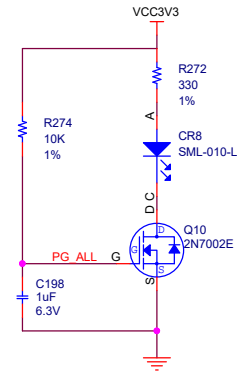
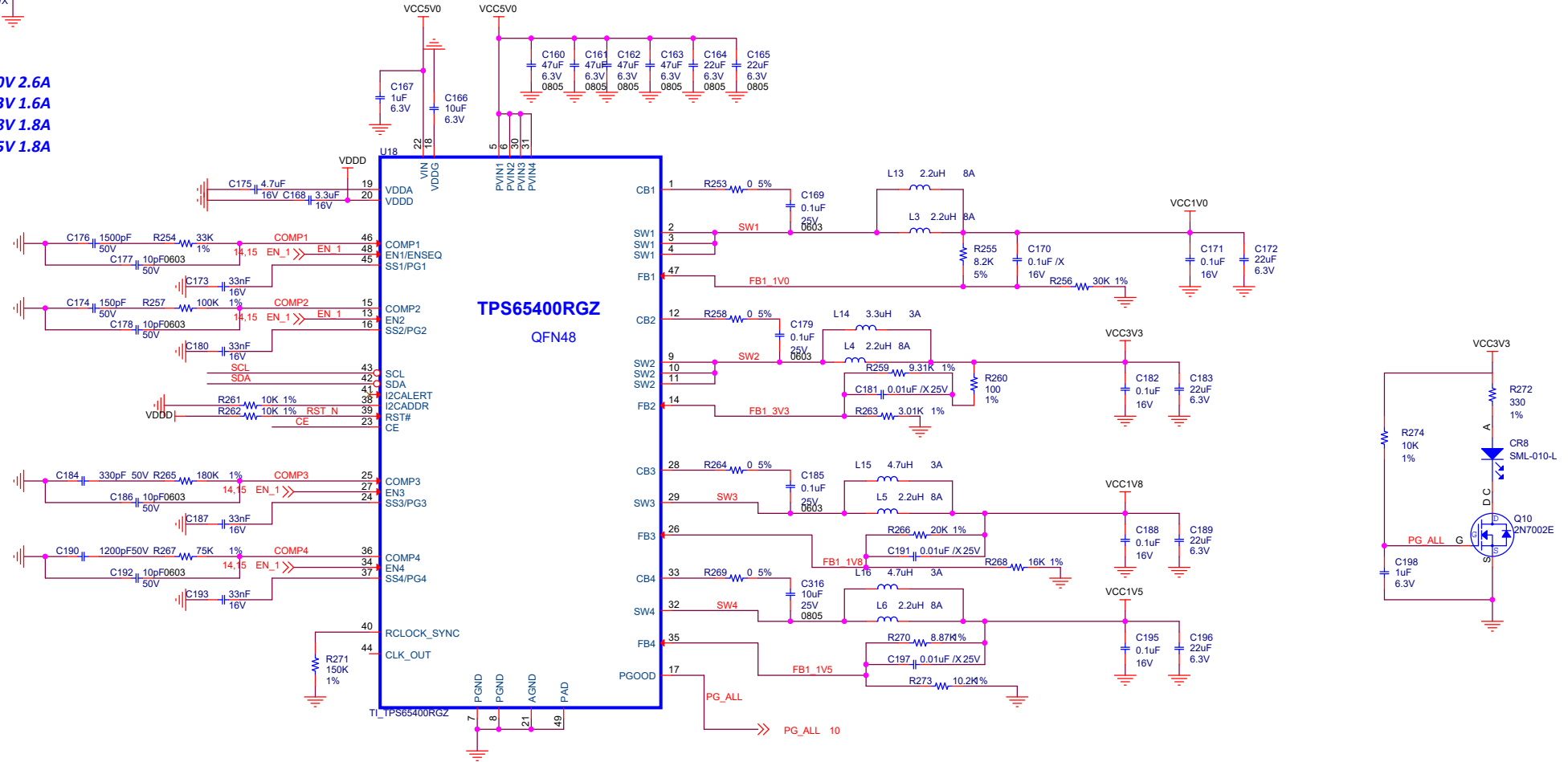
Tul Corporation

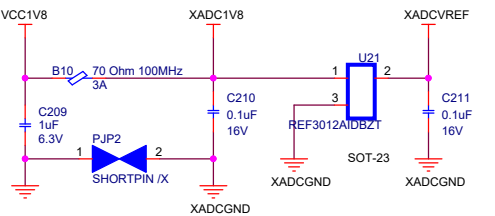
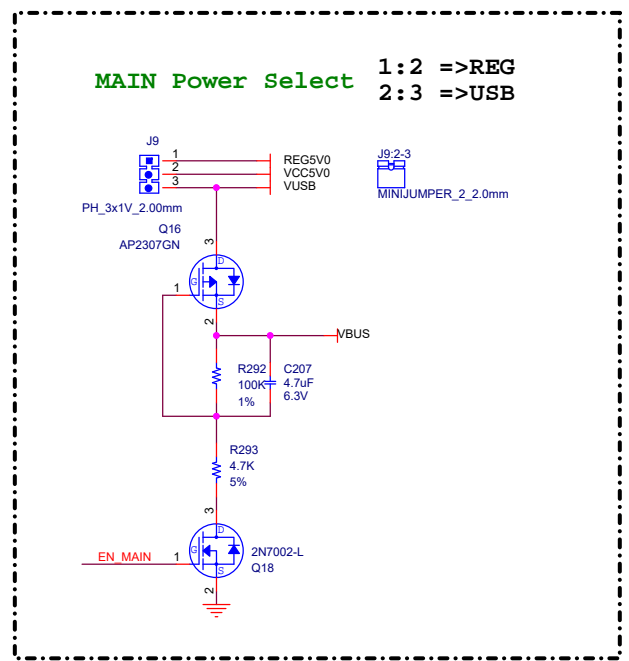
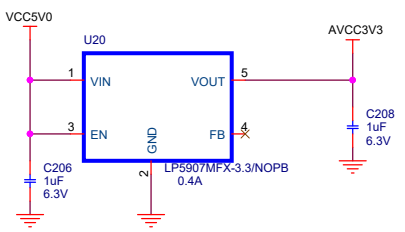
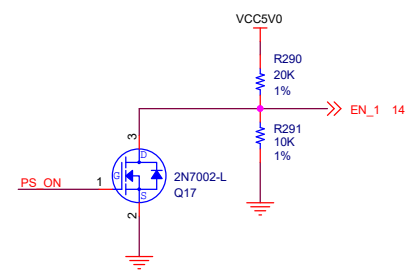
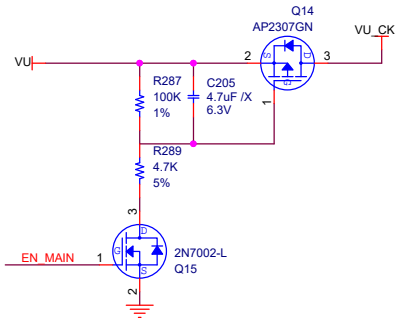
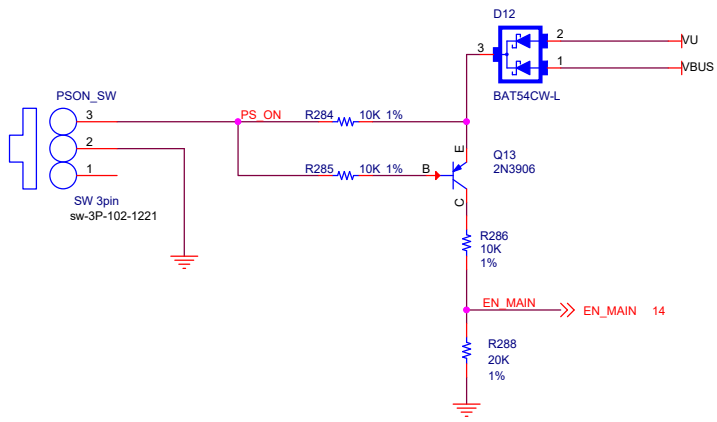
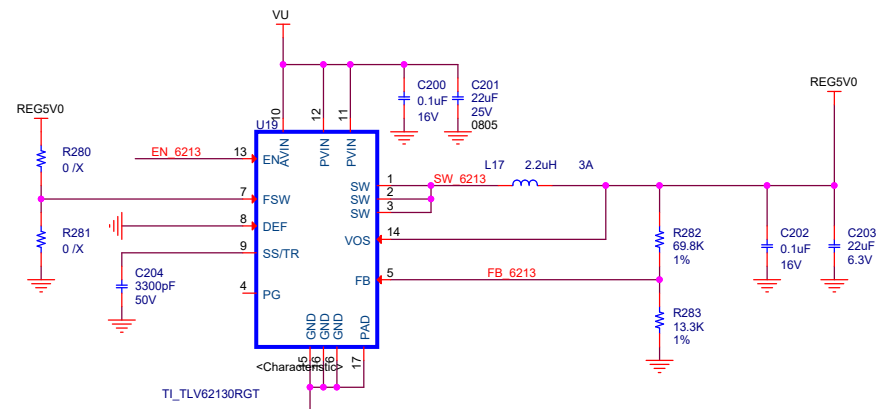
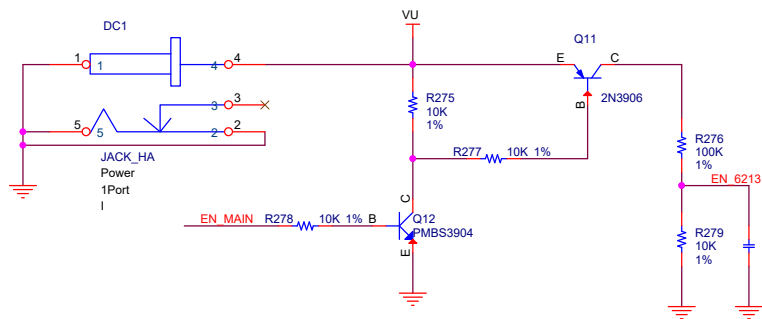
7F-7, NO. 79, HSIIN TAI WU RD. SEC 1,
HSI-CHIH, TAIPEI HSIEN, TAIWAN 221
TEL: +886 2 8698 3000 FAX: +886 2 8698 3456

Title	DDR3 Memory	
Size	Document Number	Rev
A3	PYNQ-Z2	R10
Date:	Tuesday, January 09, 2018	Sheet 13 of 15



SW1 : 1.0V 2.6A
 SW2 : 3.3V 1.6A
 SW3 : 1.8V 1.8A
 SW4 : 1.5V 1.8A





Tul Corporation			
7F-7, NO.79, HSIN TAI WU RD. SEC 1, HSI-CHIH, TAIPEI HSIEN, TAIWAN 221 TEL: +886 2 8698 3000 FAX: +886 2 8698 3456			
Title		Power Regulation 2	
Size	Document Number	Rev	
A3	PYNQ-Z2	R10	
Date:	Tuesday, January 09, 2018	Sheet	15 of 15